



GENERAL

CHAINSAW

Weight: 75,000-90,000 lbs (34,019-40,823 kg)
 Dependent on Configuration
 Height: w/Cab - 10' 5" (3.18 m) with cab elevated - 12' 10" (3.91 m)
 Transport length with Crumbshoe:
 4 ft boom: 30' 3" (9.22 m)
 6 ft boom: 32' 6" (9.9 m)
 8 ft boom: 34' 9" (10.6 m)
 10 ft boom: 37' 0" (11.3 m)
 Transport Width: 98-1/2" (2.5 m) With 22" (0.56 m) Track Pads
 Transport Height: 10' 6" (3.2 m) (over Cab with single grouser pads)

ROCKSAW

Weight: 75,000-90,000 lbs (34,019-40,823 kg) –
 Dependent on Configuration
 Height: w/cab - 10' 5" (3.18 m)
 with cab elevated - 12' 10" (3.91 m)
 Transport Length: 31' 6" (9.6 m)
 Transport Width: 98-1/2" (2.5 m)
 Transport Height: 10' 6" (3.2 m)

BUCKET

Weight: "Dirt" 83,000-89,000 lbs (37,727-40,455 kg)
 Dependent on Configuration
 Weight: "Rock" 87,000-89,000 lbs (39,545-40,455 kg) Dependent on Configuration
 Height: w/Cab -10' 9" (3.27 m) with cab elevated - 13' 2" (4.0 m)
 Transport length: 37'-0" (11.28 m)
 Transport Width: 8'-3" (2.5 m) w/o digging motors.
 10'-2" (3.1 m) with digging motors
 Transport Height With Standard Crumbshoe: 10' 6" (3.2 m) (over Cab with single grouser pads)
 (3-bottom buckets and 2-top buckets removed on "dirt set-up" & 3 and 3 on "rock set-up")
 Transport Height With Roll-up Crumbshoe: 11' 5" (3.48 m) (over cylinder with single grouser pads) with respective (dirt/rock) buckets removed

STANDARD FEATURES

Pressurized, Elevating ROPS Cab with air conditioning, heating, and sound suppression
 Load control: operator selectable digging pressure, automatic operation
 Stabilizers with adjustable Berm Scrapers on Chainsaw models
 Tool Box/Battery Box with locking door
 Engine doors with security locks
 Fuel and Hydraulic Tank: aircraft quality locking caps
 Flywheel Gearboxes and Hydraulic Tanks: pressurized with 5 PSI filtered breathers
 Flywheel Gearboxes: shaved, helical gearing, case hardened for extreme shock ability
 Vibration isolator mount: used on engine, radiator, oil cooler, and exhaust silencer

ENGINE

Model: Caterpillar C9 ACERT Tier 3
 Description: turbocharged and charge air cooled
 Maximum gross horsepower: 325 HP (243 kW)

Number of cylinders: 6 In-Line
 Maximum no load RPM: 2150
 Cooling Medium: extended life coolant
 Cooling Rating: adequate for 122° F (50° C) ambient air temperature
 Air cleaner: dry type, Centrifugal precleaner with primary and secondary filters
 Oil filter: full flow canister
 Fuel filter: primary
 Electrical system: 12V/24V
 Fuel tank capacity: 216 gal (818 L)
 Fuel consumption at full load: 16.5 gal/hr (62.4 L/hr.)
 Operating range: 13.1 hours

CRAWLER DRIVE

Dual path, hydrostatic drive, planetary transmissions capable of full counter rotation with single lever steering, single lever direction.
 Infinitely variable speed: Forward and reverse
 High Range: 0-3.3 MPH (0-5.3 KPH)
 Low Range: 0-1.3 MPH (0-2.1 KPH)
 Integral parking brake: spring applied, hydraulic release, wet disc brake

TRACKS

Overall Track Length: 10' 9" (328 cm)
 Track pad type: single, double, or triple grouser
 Track chain type: Caterpillar D5
 Track chain pitch: 6.91" (175.4 cm)
 Track pad width: 22" (71 cm)

CROSS CONVEYOR

Pressure and flow compensated pump with dual hydraulic drive motors
 Description: reversible and shiftable
 Belt speed: infinitely variable 0-1,000 FPM (0-229 m/min)
 Discharge Direction: right or left

CHAINSAW

Conveyor belt width: 27" (68.6 cm)
 Conveyor length: 11' (335.3 cm)
 Discharge height: 48"-64" (121.9-162.6 cm)

BUCKET

Conveyor belt width: 36" (91.4 cm)
 Conveyor length: 13' (396.2 cm)
 Discharge height: 41" (104 cm)

TRENCHER DRIVE

CHAINSAW

Hydrostatic: Two pumps and two motors capable of transmitting full engine horsepower
 Infinitely variable digging chain speeds: 0-700 FPM (0-213 m/min)
 Optional low speed package: 0-500 FPM (0-152 M)
 Depths: 4, 6, 8, 10 ft (123, 183, 244, 305 cm)
 Widths: 14"-20" Single chain (35-51 cm)
 24"-36" Double chain (61-91 cm)
 Tesmec designed 4.5" (11.5 cm) pitch digging chain

Tensile Strength:
 Single: 339,420 lbs (153,932 kg)
 Double: 678,840 lbs (307,864 kg)
 Conveyor Fold: hydraulic winch
 Top Boom Chain Roller
 OPTIONAL Caterpillar D6 digging chain
 Cutters: Rotary carbide tipped 1" (2.5 cm) shank diameter
 OPTIONAL Cutters: Rotary carbide tipped 1-1/2" (3.8 cm) shank diameter
 Tailwheel diameter: 40" (101.6 cm)
 OPTIONAL Hydraulic Crumbshoe

ROCKSAW

Hydrostatic: Two pumps and two motors capable of transmitting full engine horsepower
 Infinitely variable digging chain speeds: 0-700 FPM (0-213 m/min.)
 Depths: 0-48" (0 cm-122 cm)
 Widths: 6"-12" (15 cm-30 cm)
 Cutters: Rotary carbide tipped 1" (2.5 cm) shank diameter
 OPTIONAL Cutters: Rotary carbide tipped 1-1/2" (3.8 cm) shank diameter
 OPTIONAL Highway Drainage Package

BUCKET

Hydrostatic: Two pumps and two motors capable of transmitting full engine horsepower
 Digging wheel speed: 0-11.5 RPM
 Digging Depth, Dirt: Standard 7ft (2.13 m)
 Digging Depth, Dirt: Optional 8 ft (2.44 m) with the Tesmec "Extended-Depth Buckets"
 Digging Depth, Rock: 7ft (2.13 m)
 Widths of cut: 7ft-Dirt: 20" Min. (11" Bucket) to Max. 40" (28" Bucket) (50-101 cm)
 Widths of cut: 8ft-Dirt: 20" Min. (11" Bucket) to Max. 24" (16" Bucket) (50.8-60.9 cm)
 Widths of cut: 7ft-Rock: 20" Min. (11" Bucket) to 26" (16" Bucket) (50.8-60.9 cm)
 Digging Rims: 1-1/4" Plate (3.17 cm) with forged steel segments multiple drilled for (15) or (18) bucket set-up
 Dirt Buckets: (15) especially designed shovelnose-buckets (1" plate, 2.5 cm) with standard dirt pockets
 Rock Buckets: (18) especially design buckets for rock (1-1/4 plate, 3.27 cm) with pockets to accept conical teeth
 Dirt cutters: spade-type teeth
 Rock cutters: Rotary carbide tipped 1-1/2 diameter (3.8 cm) shank
 Fixed Crumbshoe: Standard, with bolt-on foot for 7 or 8 ft Depth

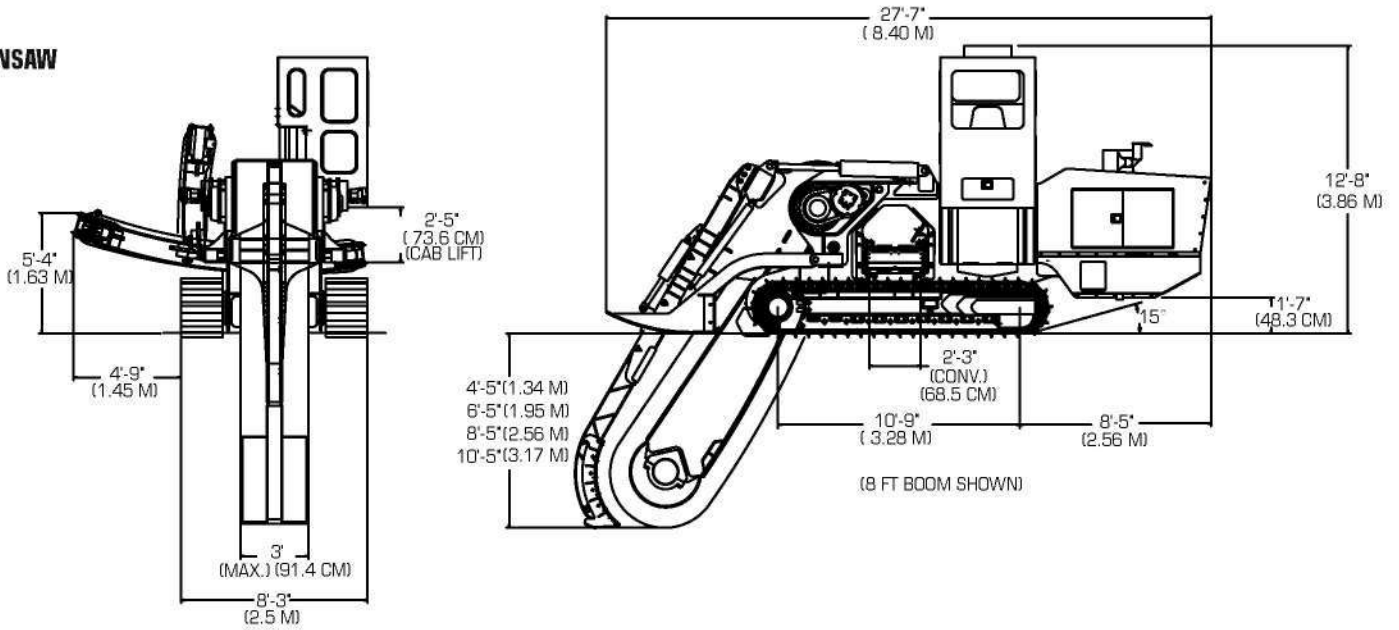
OPTIONS

CE certified
 Crumbshoe
 Cab Anti-Vandalism Window Covers.
 Work Light Package: 24V, for night use.
 Air Compressor
 Laser control system
 Cold Weather Package for Arctic Temperatures

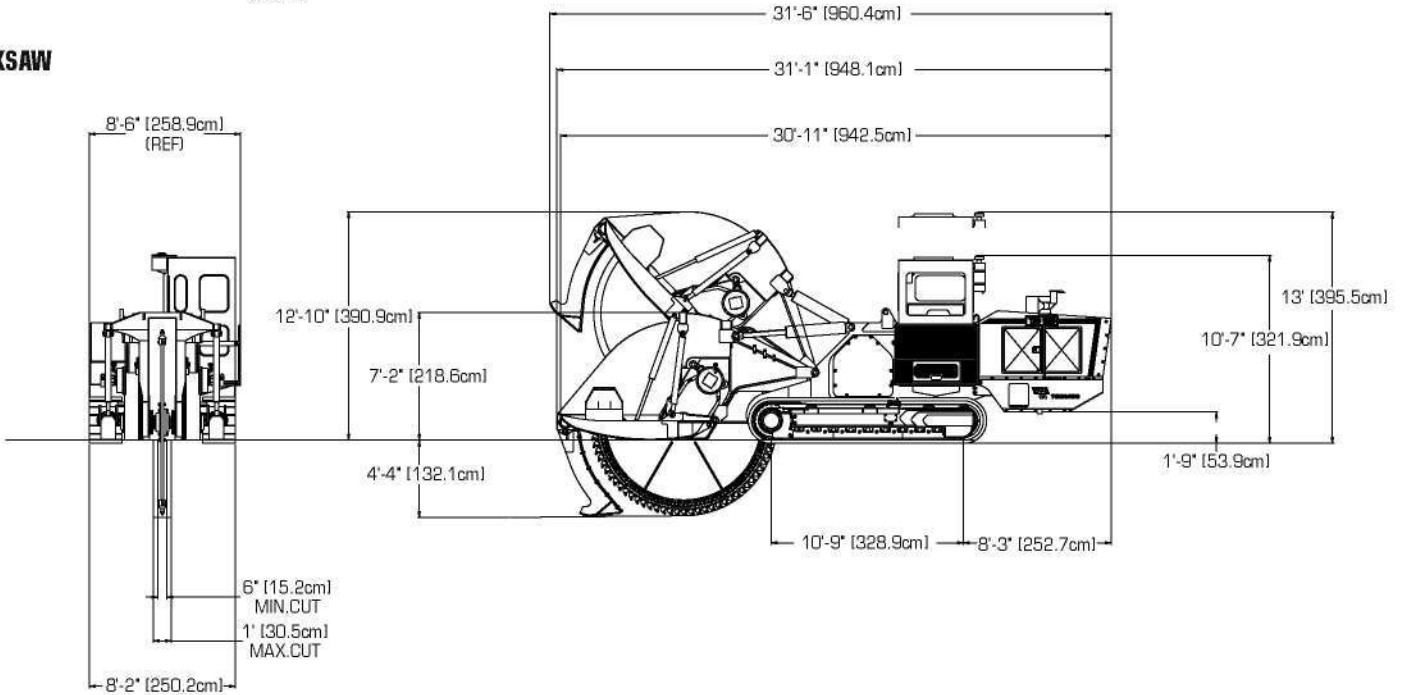
BUCKET ONLY

Sight Rod Kit: (2 types)
 Sloper Kit (for use with customer supplied cable and ends)
 Hydraulic winch for conveyor fold
 Caterpillar and Cat are trademarks of Caterpillar Inc.

CHAINSAW



ROCKSAW



BUCKET

