



GENERAL

CHAINSAW

Weight: 105,000-116,000 lbs (48,000-53,000 kg)
 Height: w/Cab - 133" (3.37 m)
 Transport length with Crumbshoe and counterweight:
 6 ft boom: 36'-3" (11.05 m)
 8 ft boom: 38'-3" (11.65 m)
 10 ft boom: 40'-6" (12.35 m)
 12 ft boom: 42'-7" (12.97 m)
 Width: 114" (2.90 m)

* Width could be reduced to 110" (2.80 m) removing digging motors

ROCK HAWG

Weight: 116,000 lbs (53,000 kg)
 Height: w/Cab - 133" (3.37 m)
 Transport length: 398" (10.1 m)
 Width: 122" (3.1 m)

STANDARD FEATURES

Pressurized Cab ROPS with air conditioning, heating and sound suppression
 Load control: operator selectable digging pressure, automatic operation
 Stabilizers with adjustable drags
 Tool box with locking door
 Engine doors with security locks
 Fuel and Hydraulic Tank: aircraft quality locking caps
 Gearboxes, Fuel and Hydraulic Tanks: pressurized with 5 PSI filtered breathers
 Flywheel Gearboxes: shaved, helical gearing, case hardened for extreme shock load
 Vibration isolator mounts: used on engine, radiator, oil cooler, exhaust silencer and cab

ENGINE

Model: Caterpillar C-13 ACERT Tier 3
 Description: Turbocharged and After Cooled
 Maximum gross horsepower: 440 HP (328 kW)
 Number of cylinders: 6 In-Line
 Maximum no load RPM: 2150
 Cooling Medium: extended life coolant
 Cooling Rating: adequate for 122° F (50° C) ambient air temperature
 Air cleaner: dry type, 2 stage with dual precleaner
 Oil filter: full flow canister
 Fuel filter: primary and secondary
 Electrical system: 24V
 Fuel tank capacity: 324 gal (1230 L)
 Fuel consumption at full load: 22 gal/hr (83 L/hr)
 Operating range: 15 hours

HYDRAULIC SYSTEM

Type: pressure and flow compensated (Load sensing)
 Auxiliary pump flow maximum: 40 GPM (150 L/min)
 Auxiliary pressure setting: 2500 PSI (172 Bar)
 Oil tank capacity: 100 gallons (378.5 L)

CRAWLER DRIVE

Dual path, hydrostatic drive, planetary transmissions capable of full counter rotation with single lever steering, single lever direction
 Infinitely variable speed: Forward and reverse
 High Range: 0-2.77 Mph (4.46 km/hr)
 Low Range: 0-1.25 Mph (2.01 km/hr) Integral parking and service brake: Spring applied, hydraulic release, wet disc brake

TRACKS

Overall Track Length: 149" (378 cm)
 Track pad type: single, double, or triple grouser
 Track chain type: Caterpillar 42/325 or equivalent
 Track chain pitch: 7.98" (202.8 cm)
 Track pad width: 23-5/8" (60 cm)

CROSS CONVEYOR

CHAINSAW ONLY

Pressure and flow compensated pump with dual hydraulic drive motors
 Hydraulic conveyor fold
 Description: Reversible and shiftable
 Belt speed: Infinitely variable 0-750 FPM (0-229 m/min)
 Conveyor belt width: 30" (76 cm)
 Conveyor length: 164" (416 cm)
 Discharge height: 48-1/2" - 67-1/2" (123-171 cm)
 Discharge direction: right or left

TRUCK LOADING CONVEYOR

CHAINSAW ONLY

OPTIONAL SIDE MOUNTED SWIVEL TRUCK CONVEYOR:

Pressure and flow compensated pump with single hydraulic motor
 Belt speed: infinitely variable 0-656 FPM (0-200 m/min)
 Conveyor belt width: 30" (76 cm)
 Discharge direction: front of the machine
 Discharge height: max 177" (450 cm)
 Swivel angle: 10°

TRENCHER DRIVE

CHAINSAW

Hydrostatic: two pumps and two motors capable of transmitting full engine horsepower
 Infinitely variable digging chain speeds:
 0-700 FPM (0-213 m/min) standard
 Depths: 6, 8, 10, 12, 14 ft (183, 244, 305, 366, 427 cm)

Widths:

16"-20" Single chain (40-51 cm)
 26"-36" Double chain narrow (66-92 cm)
 34"-42" Double chain wide (86-107 cm)
 Tesmec designed 6.5" pitch digging chain for single chain configuration
 4.5" pitch digging chain for double chain configuration
 Cutters: Rotary carbide tipped 1-1/2" (3.8 cm) shank diameter

Digging chain boom top roller
 Hydraulic digging chain adjustment

ROCK HAWG

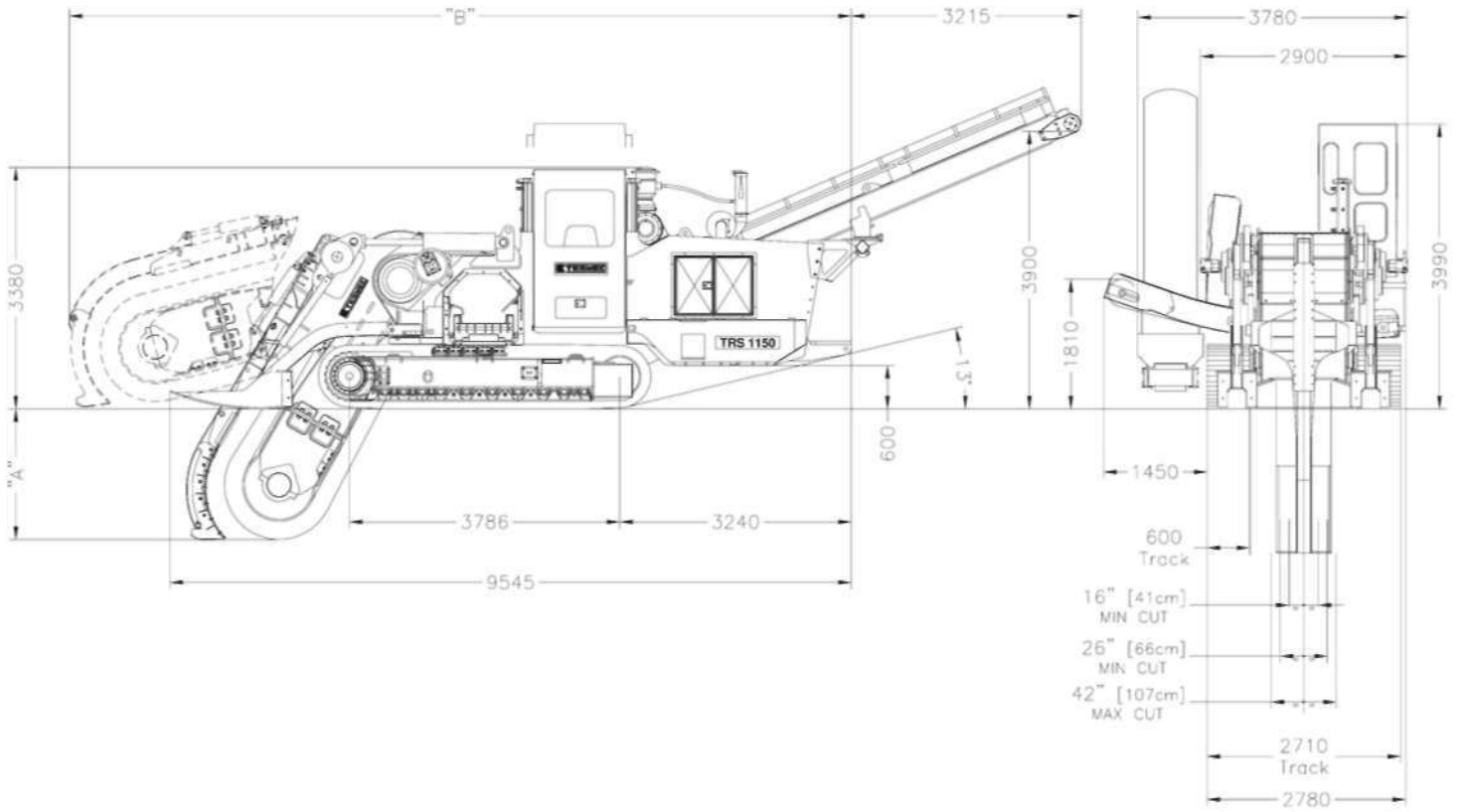
Hydrostatic: two pumps and two motors capable of transmitting full engine horsepower
 Infinitely variable digging chain speeds: 0 - 500 FPM (0-150 m/min)
 Depth: 0 -20" (0-50 cm)
 Width: 123" (312 cm)
 Cutters: Rotary carbide tipped 1-1/2" (3.8 cm) shank diameter
 Drum Diameter: 71" (180 cm)
 Hydraulic digging chain adjustment

OPTIONS

CE certified
 Work Light Package: 24V for night use
 Laser control system
 Combo blocks
 Hydraulic crumbshoe

Not all digging configurations are available
 Caterpillar and Cat are trademarks of Caterpillar Inc.

CHAINSAW



ROCK HAWG

