



GENERAL

CHAINSAW

Weight: 55,100-70,500 lbs (25,000-32,000 kg)
dependent on configuration
Ground Pressure: 9.7-12.4 lbs/Sq Inch (0.68-0.87 kg/cm²)
Height: 10' 2" (3.1 m)
Transport length with crumbshoe, without truck loading conveyor:
4 ft boom: 27' 6" (8.39 m)
6 ft boom: 29' 10" (9.09 m)
8 ft boom: 32' 6" (9.90 m)
10 ft boom: 34' 9" (10.59 m)
Transport width, no motor removal: 8' 7" (2.61 m)
Transport width, with motor removal: 8' 4" (2.54 m) with 24" (61 cm) track pads

ROCKSAW

Weight: 63,000-68,000 lbs (28,576-30,844 kg)
dependent on configuration
Ground Pressure: 11-12 lbs/Sq Inch, 0.77-0.84 kg/cm²
Transport Height: Boom Frame 10' 6" (3.2 m), Over Cab 10' 2" (3.09 m)
Transport length: 28' 1" (8.6 m)
Transport width: 8' 4" (2.54 m)

STANDARD FEATURES

Pressurized cab with air conditioning, heating, sound suppression, and ROPS structure
Load control: operator selectable digging pressure, automatic operation
Fuel and hydraulic tank: pressurized and with locking caps
Flywheel gearbox and Pump Drive: pressurized with 5 PSI filtered breathers
Flywheel gearbox: ground helical gearing, case hardened for durability
Anti Vibration isolator mounts: used on engine, radiator/oil cooler unit, and cab
Stabilizers with trench cleaners: automatically adjust to terrain changes
Positive Locking Digging Chain Adjustment
Cab and Compartment security locks
TESMEC Combination Digging Tool Holder
Top Boom Chain Roller

ENGINE

Model: Caterpillar C9 ACERT Tier 3
Description: turbocharged and charge air cooled
Maximum gross horsepower: 300 HP (224 kW)
Number of cylinders: 6 in-line
Maximum no load RPM: 2000
Cooling Medium: extended life coolant
Cooling Rating: adequate for 122 °F (50 °C) ambient air temperature

Air cleaner: dry type 2 stages with pre-cleaner and automatic dust ejection
Oil filter: full flow canister
Fuel filter: primary and secondary
Alternator: 65A, 24V
Fuel tank capacity: 192 gal (730 L)
Fuel consumption at full load: 15.4 gal/hr (58.3 L/hr)
Operating range: 12 hours

HYDRAULIC SYSTEM

Type: pressure and flow compensated (load sensing)
Pump flow maximum: 43 GPM (164 L/min.)
Pressure setting: 2500 PSI (172 Bar)
Oil tank capacity: 73 gal (275 L)

CRAWLER DRIVE

Dual path, hydrostatic drive, planetary transmissions capable of full counter rotation with single lever steering, single lever direction
Infinitely variable speed: forward and reverse:
High Range: 0 – 2.5 MPH (0 – 4 km/hr)
Low Range: 0 – 1.4 MPH (0 – 2.2 km/hr)
Integral parking and service brake: spring applied, hydraulic release, wet disc brake

STANDARD CROSS CONVEYOR

Pressure and flow compensated pump with dual hydraulic drive motors
Description: reversible
Belt speed: infinitely variable 0-790 FPM (0-240 m/min)
Conveyor belt width: 24" (60 cm)
Conveyor length: 98.5" (250 cm)
Discharge direction: right or left
Discharge height: 57" (145 cm)

TRUCK LOADING CONVEYOR

OPTIONAL SIDE MOUNTED SWIVEL TRUCK CONVEYOR:
Pressure and flow compensated pump with single hydraulic drive motor
Belt speed: infinitely variable 0-656 FPM (0-200 m/min)
Conveyor belt width: 22" (55 cm)
Belt type: vulcanized construction with chevron pattern for higher transport capacity
Discharge direction: front of the machine
Discharge height: max 158" (400 cm)
Swivel angle: 16°

TRENCHER DRIVE

CHAINSAW

Hydrostatic: one pump and two motors capable of transmitting full engine horsepower
Infinitely variable digging chain speeds: 0-530 FPM (0-160 m/min)
Boom Lengths:
Single strand 4.5" (11.4 cm) pitch chain: 4, 6, 8, 10 ft (122, 183, 244, 305 cm)
Double strand 4.5" (11.4 cm) pitch chain: 4, 6, 8 ft (122, 183, 244 cm)
Double "K" 4.5" (11.4 cm) pitch chain: 4, 6, 8 ft (122, 183, 244 cm)
Cut Widths:
Single strand 4.5" (11.4 cm) pitch chain: 12"-18" (30 - 45 cm)
Double strand 4.5" (11.4 cm) pitch chain: 24" -36" (61 - 91 cm)
Double "K" 4.5" (11.4 cm) pitch chain: 18" – 28" (45 - 71 cm)
Cutters: rotary carbide tipped 1-1/2" (3.8 cm) shank diameter
Optional: single edge, hard surfaced spade teeth for dirt, Tesmec Dirt tool with 1-1/2" (3.8 cm) shank diameter

ROCKSAW

Hydrostatic: one pump and two motors capable of transmitting full engine horsepower
Infinitely variable digging chain speeds: 0-575 FPM (0-175 m/min.)
Depths: 0-48" (0-122 cm)
Widths: 6"-12" (15-30 cm)
Cutters: rotary carbide tipped, 1-1/2" (3.8 cm) shank diameter

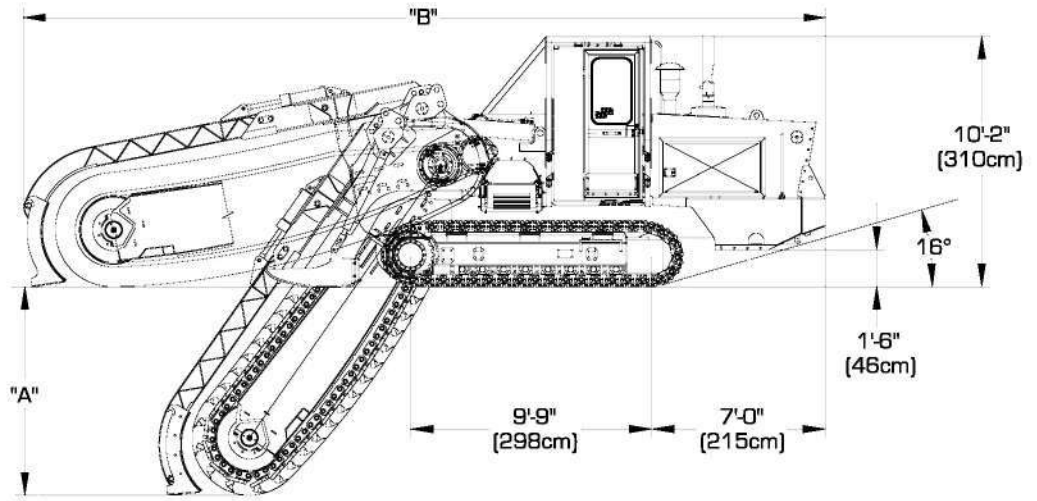
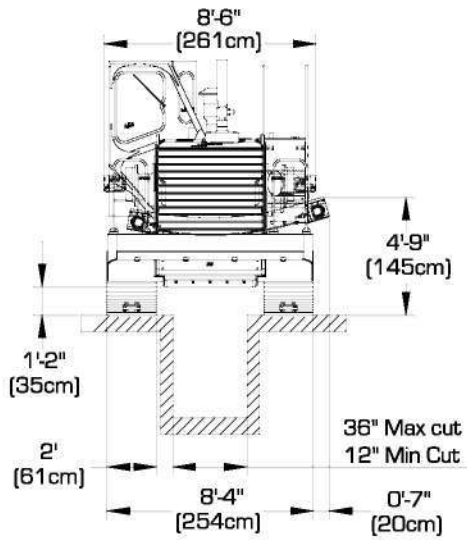
OPTIONS

CE certified
Cab anti-vandalism window covers
Work light package: 24V, for night use
Laser control system pre-wire
Hydraulic Crumbshoe
Polyurethane or Rubber track pads
Extended cross conveyor
Elevating cab
Tilt track

Boom	"A"	"B"
4'	135 cm	~27'-6" (839 cm)
6'	196 cm	~29'-10" (909 cm)
8'	255 cm	~32'-6" (990 cm)
10'	318 cm	~34'-9" (1,059 cm)

Caterpillar and Cat are trademarks of Caterpillar Inc.

CHAINSAW



ROCKSAW

